

Enigma™

EDL 1.0 Series
Electronic
Anti-Burglary Lock



 **RAC**
INNOVATION FOR TOTAL SOLUTION

PRODUCT FEATURES

EDL 1.0 Series Electronic Anti-Burglary Lock is our new offering for high-end residential, hospitality, commercial building and other communities, combining the most advanced security performances with maximum attention to design.



EDL 1.0 Series blends into any décor and respects the exclusive style of design both inside and outside the rooms. The technology blended design is simple and easy to use.



- 1 To access by card**
- Unlock by card
 - Unlock by password
 - Unlock by mechanical key.

- 2 To access by fingerprint**
- Unlock by fingerprint
 - Unlock by password
 - Unlock by mechanical key.



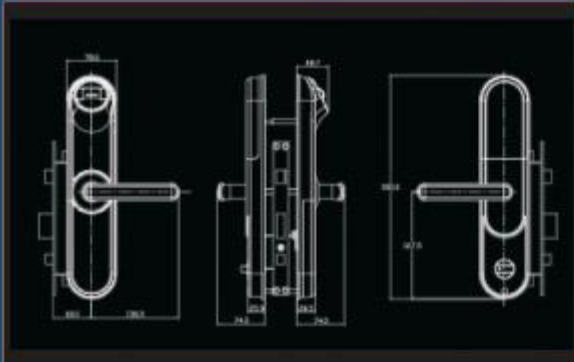
Enigma™

INNOVATION FOR REAL SECURITY





Excellence In Innovation



Art In Innovation



EDL1.0 Series Electronic Anti-Burglary lock is simple and easy to use. Its modern design and futuristic technology makes it the best choice interior and exterior doors.

Product Specifications

EDL 1.0 Series Electronic Anti-Burglary Lock			Product Model	
			EDL 1.0 MFK	EDL 1.0 FP
Standard & Testing	Standard		●	●
	Corrosion Resistance	96-hour salt-spray test	●	●
	Lock Durability	100,000 cycles	●	●
Features	Unlock Way	Unlock by card	●	
		Unlock by fingerprint		●
		Unlock by password	●	●
	User Card	Mifare 14443A Card (e.g. Transportation Card)	●	
		2 Standard card Size + 2 mobile tag	●	
	Card Capacity	100	●	
	Fingerprint Capacity	100		●
	Coding	6-10 digits, up to 21 groups	●	●
	Emergency Unlock Way	Override mechanical key	●	●
	Lock Function	Pull up the handle to lock the door	●	●
		Turn the manual thumb turn to lock the door	●	●
	Battery & Life	41.5V batteries, 1 year life for 10 times operating per day	●	●
	Backup Power	9V external power	●	●
Safety / Alarming	If 3 consecutive operation errors occur within 3 minutes, system will alarm 10 seconds and be locked within 3 minutes	●	●	
	Continuous alarm will go off if anyone attempts to damage the lock or forces the door open	●	●	
Installation	Easy installation without problem of handwired	●	●	
Lock Case	Material	Deadbolt, latch and night bolt made of high-quality cast stainless steel	●	●
	Deadbolt Strength	Deadbolt front load force: 3000N, Deadbolt side load force: 6000N	●	●
	Closing Force	Less than 10N, better for closer operating	●	●
	Dimension	Backset: 60mm	●	●
Follower to cylinder center: 68mm		●	●	
Cylinder	Standard	European standard cylinder	●	●
Dimension	Outdoors	75mm(W) x 350mm(H) x 28.5mm(D)	●	●
	Indoors	75mm(W) x 350mm(H) x 25.9mm(D)	●	●
Finish	Finish	Silver, Champagne gold	●	●
Door Application	Door	Wood door and metal door	●	●
	Door Thickness	Standard: 50-70mm; Optional: 70-90mm	●	●

Order Specifications

EDL	1.0	FP	SL	PS	LH
Series		Unlock Way FP-Fingerprint+Password MFK-Mifare Card+Password	Lock Case	Finish PS-Silver PG-Champagne Gold	Handing LH-Left Hand RH-Right Hand



Modern touchpad

Advanced smart touch technology is applied, making the lock durable with modern and elegant white LCD.



Overall voice prompt

This product adopts voice indication to guide all of its settings, it will make the operation easier and more convenient.



Fake code input

Before inputting the user password, the user can input several interfering digits, and in this way, users can still unlock the door and at the same time avoid divulging the right password in public place.



Intrusion alarm function

If the external lock is damaged, the alarm will automatically start, making a strong warning sound.



Intelligent user management

There are two areas respectively for general users and for guest users, and passwords/ cards/ fingerprints can be added to or deleted from the corresponding partition according to various demands.



Anti-burglary lock design

Standard anti-burglary lock design is adopted, and vertical rod can be added, making the lock safe and durable.



Anti-burglary lock design

Standard anti-burglary lock design is adopted, and vertical rod can be added, making the lock safe and durable.



Anti-burglary lock design

Standard anti-burglary lock design is adopted, and vertical rod can be added, making the lock safe and durable.



RAC is a leading provider of products and services that make environment more secure, safe and productive. Enigma's innovation & excellence in commercial security can be found in every product we sell. When Enigma products safeguard your family and home security and peace of mind is assured. Our variety of designs and styles coupled with elegant finishes complement any modern decor.



RAC HARDWARE SALES PVT. LTD

27, Weston Street, Room No 302, 3rd floor
Kolkata-700012.India., Ph: +91 33 2211-7280
Fax: +91 33 40037121, E-mail: info@rachhardware.in